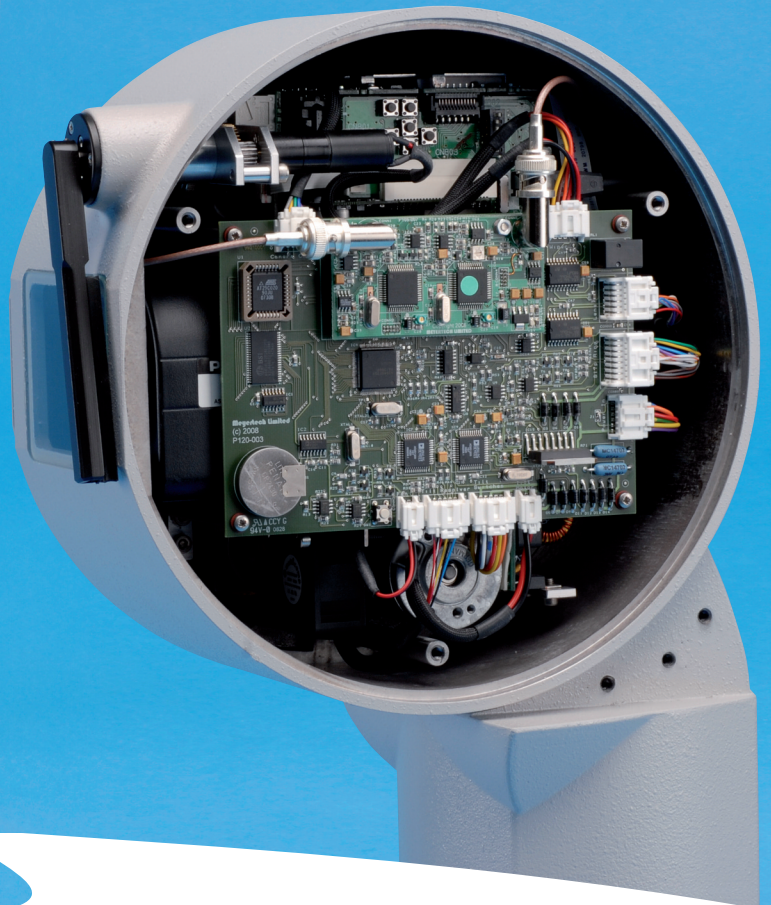


Panama integrated
pan & tilt



Strong lightweight construction

Highly reliable with minimal backlash

Built to last

Weatherproof

Accurate

Long operational life

Easy to install

Corrosion resistant finish

Continuous rotation

Dual process heat treated gravity die cast aluminium casings with 4mm toughened glass

Precision turned and milled internal components with ball races on major axes

Stainless steel fastenings

'O' rings and lip seals. IP rating 68

Resolver technology on pre-sets

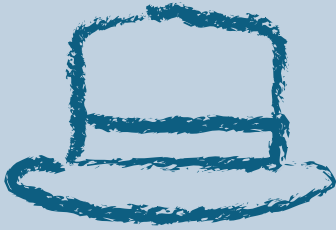
Maintenance free, two year warranty

All electronics and camera/lens prewired internally (external power supply in weatherproof box)

Colour options and marine finish available

On pan axis





Panama integrated pan & tilt

Designed and built to the same uncompromising standards as our conventional units, the Panama is an industry first: an integrated pan and tilt with the technology to deliver true optical quality.

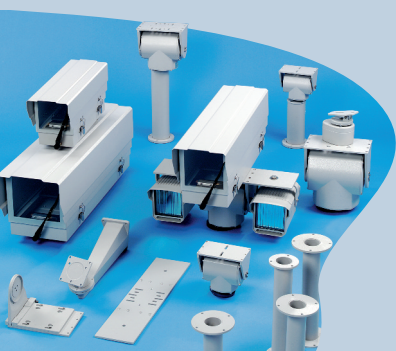
The camera: the JVC TK-1480BE, is an advanced high resolution, low light multi-function colour CCTV camera which boasts a 1/2" Super LoLux type CCD.

The lens: a Pentax C60831WQ 8 to 120mm, F1.6 to 1000 with 15x optical zoom.

The pan & tilt dome: incorporating all electromechanical and electronic components, the aesthetically pleasing, ruggedised die cast aluminium IP68 enclosure affords full environmental protection.

An internal cooling fan and wiper are fitted as standard.

Configuration and control, including alarms and privacy zones are fully menu driven irrespective of protocol.



IP68
weatherproof
protection



Panama integrated pan & tilt specifications

Dimensions (mm nominal)		
Height	496	
Width	233	
Depth	275	
Weight (kg)		
	12	
Fixing centres		
	4 holes 6.5mm dia on 101.6 (4") PCD	
Supply Voltage		
	24VAC ±10%	
PSU (external)		
	230VAC ±10%, Transformer to 24VAC	
Power consumption		
	Peak: 50VA Idle: 17VA	
Temp. range (°C)		
Internal	0 to +50 (permanent internal fan)	
External	-20 to +50	
Connector (17 way bayonet)		
	Base mounted (power, comms, aux, video, tamper)	
Video		
	PAL	
Communications		
Standard Protocol	RS422, RS485 Meyertech ZoneVu®, Pelco D and P, Forward Vision Full menu driven configuration on all protocols PC configuration backup (ZoneVu® only) Flash upgradeable (ZoneVu® only)	
Speeds		
	32 speeds of Pan, Tilt, Zoom & Focus	
	(°/sec)	
	Maximum	Minimum
Pan	60	1.8
Tilt	30	1.4
Operational Angles (°)		
Pan	360 (continuous)	
Tilt	140 (from vertically down)	
Presets		100 + Home
Patrols		16
Mimics		4 x 1 minute
Privacy zones (dynamic)		50
Dynamic captions		64 (including sector text)
Alarms		Video loss, tamper (external), motion detection Local alarm response Remote alarm reporting
OSD		Caption, menu, command, 2D zones 35 characters x 16 lines
Address		1 to 4096 and global (ZoneVu® protocol) Max. supported on Pelco D and P
Wiper		Self parking
House colour		Goose Grey, Textured, Semi Gloss (BS4800 00 A05)
Maintenance		None required



15x optical zoom



Integrated lens:
Pentax model C60831WQ

1/2" low light colour CCD



Integrated camera:
JVC model TK-C1480BE

1/2" format
8 to 120mm Zoom range
F1.6 to 1000
43.48° to 3.08° horizontal angle of view
Variable 6 sec. Zoom and 8 sec. Focus
Iris override option available
Detailed specification is available from www.pentax.co.uk

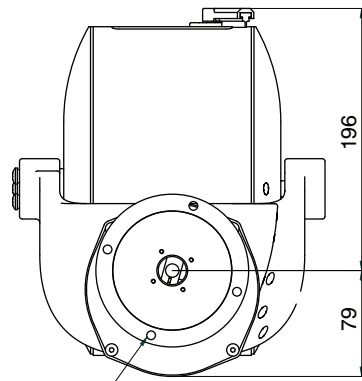
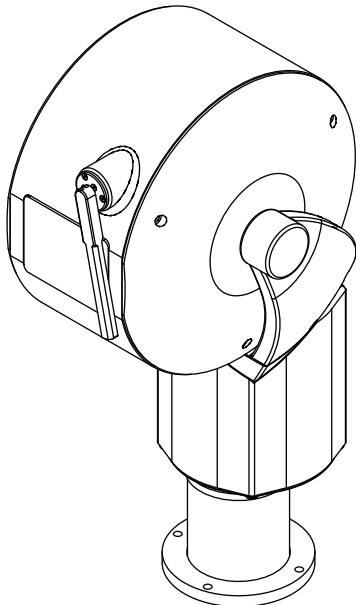
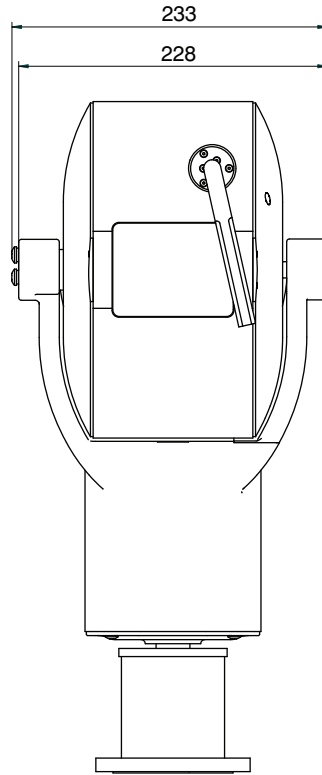
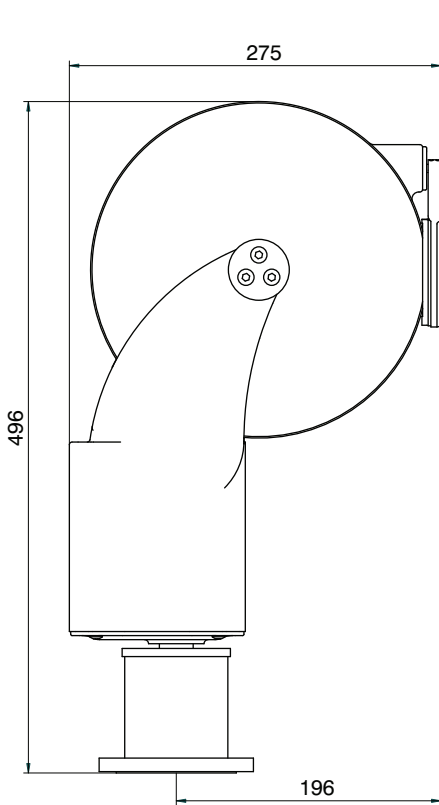
Signal system	PAL
Image device	1/2" Ultra Super LoLux IT CCD 752(H) x 582(V)
Sync system	Internal, Line Lock, full Genlock
Scanning frequency	15.625kHz(H), 50Hz(V)
Horizontal resolution	480 TV lines
Video output	Composite video signal
Y/C output	Y/C video signal (4-pin)
Video S/N ratio	50dB (AGC OFF)
Minimum required illumination	0.6 lux (F1.2, 50%, AGC 20dB, normal shutter, 1/60 sec.) 0.3 lux (F1.2, 25%, AGC 20dB, normal shutter, 1/60 sec.) 0.15 lux (F1.2, 25%, AGC 26dB, normal shutter, 1/60 sec.) 0.02 lux (F1.2, 50%, AGC 20dB, slow shutter, 32/60 sec.) 0.01 lux (F1.2, 25%, AGC 20dB, slow shutter, 32/60 sec.) 0.005 lux (F1.2, 25%, AGC 26dB, slow shutter, 32/60 sec.)

Detailed specification is available from www.jvcproeurope.com



Panama integrated pan & tilt dimensions

(mm nominal)



4 holes 6.5mm dia on a 101.6mm PCD



Metham Aviation Design Limited
Station Approach, Four Marks, Alton
Hampshire GU34 5HN, UK

Tel: +44 (0)1420 565618.

Fax: +44 (0)1420 565628

Email: info@madcctv.com

www.madcctv.com